

Speedotron®



Instruction Manual

Welcome to Speedotron

Thank you for purchasing Speedotron Black Line equipment. The name Speedotron is synonymous with professional workmanship and the finest electronic flash equipment available. Backed by years of experience, our engineers have developed the Black Line system to take the rigors of daily professional use with consistently outstanding results.

For more than 60 years, Speedotron's reputation has grown without much fanfare or advertising. Over the years, we have found that a satisfied user is our best salesman. We are determined to serve you well and offer the most efficient, competent and courteous service anywhere.

If this is your first Speedotron purchase, this guide will help you get the most out of your new equipment. If you've purchased and used our equipment before, much of this information will be familiar. In either case, we advise going over this manual thoroughly. It contains vital information on the care and proper use of all (including the latest) Speedotron products.

This manual is not a photographic handbook; only information pertinent to basic operation is given. If you have questions about how to handle a particular lighting situation or other application that is not discussed, please contact us and we'll answer your questions as best we can.

The equipment you have purchased is heavy-duty, durable equipment that will stand up to continuous use either on location or in the studio. However, there are certain operating procedures that should be adhered to insure maximum performance. Treated with a reasonable care, your Black Line system will provide you with dependable, consistent, long lasting service.

Please help us to get to know you and fulfill our obligations to you. Return the enclosed warranty registration card (found in the center of this manual) to us immediately. Sending in this card will validate your warranty and put your name on our mailing list.

Speedotron Corporation

310 South Racine Avenue
Chicago, Illinois 60607
312/421-4050 - FAX: 312/421-5079
info@speedotron.com
www.speedotron.com

we welcome

Speedotron's 2-Year U.S. Limited Warranty

Speedotron guarantees to repair or replace, free of charge, any part or parts found by factory inspection to be defective due to faulty material or workmanship, provided the equipment is returned to our factory prepaid. The period of warranty is two years from the date of original purchase, except for flash tubes and modeling lamps, which are covered by the manufacturers' warranties, not by Speedotron. Flash tubes, are covered for a period of one year only, and the length of manufacturer's warranties on modeling lamps varies. The Speedotron two-year warranty does not apply to equipment which has been abused, cracked or broken in shipping, resold or rented (without written permission from Speedotron Corporation), which has the serial number removed or defaced, which has been modified or repaired by an unauthorized person, or which has been purchased from any source other than an authorized Speedotron dealer. A copy of the original sales receipt from an authorized Speedotron dealer is required at the time of warranty service.

The seller shall not be liable for any injury, loss or damage, direct or consequential, arising from the use or inability to use the product. Prior to use, the purchaser shall determine the suitability of the product for the intended use and assume all risks and liabilities.

The obligation of Speedotron Corporation is limited to repair or replacement only, and no one is authorized to assume any obligation not in accordance with the above.

Do not attempt to make repairs to your Speedotron equipment. All electronic flash systems operate on high voltage and high power. There is a high risk of severe electrical shock when opening a power supply or light unit. Leave service to qualified and authorized electrical service personnel. Authorized service personnel are familiar with the procedure to fully discharge a live unit (flashing the unit is not enough to drain stored power even when the unit is unplugged). Repairs by unauthorized service personnel or by the user will void the warranty.

Although we do have several service stations, we encourage you to send all repairs, under warranty or otherwise, to our factory to ensure the best possible service. Not only will your unit be properly repaired, but it will be given a routine updating of all circuitry that has been revised since your unit was manufactured.

Should service be necessary under this warranty, return the item to us prepaid (we do not accept collect shipments). We, in turn, will expedite repairs and return the item to you prepaid, via whatever means of transportation you used to ship it to us (applies to continental U.S.A. only).

This warranty is not valid unless you fill out and return your warranty registration card. Equipment should be registered within 10 days of purchase.

Note: The warranties covering flash tubes and modeling lamps are original manufacturer warranties, and do not cover damage which occurs in shipping. All flash tubes are checked over before being shipped to ensure that they are in good condition. Please inspect all flash tubes and modeling lamps upon their arrival, and if they are cracked or broken, **contact the shipping company immediately for a damage claim.** Only flash tubes or modeling lamps that are defective, **not those that are cracked or broken**, are covered and will be replaced by the manufacturer's warranty.

The Speedotron 2-year U.S. warranty applies only to Speedotron equipment purchased from authorized Speedotron dealers.

FOR YOUR RECORDS:

Dealer _____

Purchase Date _____

Equipment Type _____

Model No. _____

Serial No. _____

POWER SUPPLIES

General Instructions and Information	4-5
1205 & 2405	
Description of Controls	6
Operating Instructions	7
1205 Power Ratios	8
2405 Power Ratios	9
General Maintenance and Care	10
Trouble Shooting	11
Technical Specifications	12
Notes	13
Plus-3 Protection Plan	14

General Instructions and Information

Although Speedotron Black Line power supplies vary in power and features, they all operate under the same principles. The following instructions apply to the entire Black Line series. For maximum equipment life and for safe, dependable operation of power supplies, we advise you to follow these general rules.

- **Information contained in this manual is applicable to New Speedotron Equipment** at the time of writing. Some information may not be applicable to older Speedotron equipment.
- Before doing anything with the power supply make sure that the **Model** and **Power** switches are in the off position and the **Reset** button (circuit breaker) is fully depressed into its socket.
- Connect light cable(s) to the **Light Unit Outlet(s)** on the power supply (with the 103, 202VF and 206VF lights, connect the light unit cable to the light unit before connecting to power supply), selecting the appropriate outlets for the desired power level. (Refer to the diagrams on the side of the power supply.)
- To insert, align the light unit plug with the power supply outlet and apply even pressure while pushing. Make sure that all light unit cables are firmly seated and you hear or feel the quick release ring **click** into place or the locking of 206 light units is fully threaded.
- Make sure cables are out of pathways or are taped to the floor to prevent accidentally disconnecting cables from power supply.
- **Never** connect or disconnect a light unit while the power supply is turned on. **Never** insert or remove flash tubes while the light unit is connected to the power supply. Be sure flash tubes are fully seated into light unit sockets. (Read instructions in the Light Units section of this manual for more information on light unit assembly and operation.)
- Always make sure your **Model** and **Power** switches are off when disconnecting or connecting light units. Speedotron power supplies are equipped with arc-protected outlets. However, as with any electrical equipment, arc-over (an electrical discharge between two physically disconnected electrical terminals) is a possibility. When light cables, flash tubes or power cords are improperly seated, arc-over may occur. Also, if your light unit or power supply malfunctions, or the power cord or the internal wiring in the studio is improperly terminated or defective, there is a chance of arc-over. Severe power supply damage and operator injury may result if arc-over occurs.
- Plug sync extension into **Sync** socket and connect other end to PC cord for camera. These sync extensions have a 1/4" international (phone jack) plug.
- Insure that protective flashtube covers are removed from light units before turning on model lamps or flashing.
- A slave tripper (Speedotron #23510) may be installed in the **Sync** socket to fire the power supply. The 1005 features a built-in slave trigger for added convenience.
- Connect AC power cord into **Power Input** on power supply. Always use a three-wire ground power cord and a properly grounded wall outlet with all

Speedotron power supplies. Failure to do so may cause the power supply to intermittently misfire. Do not use a three prong-to-two prong "ground eliminator" adapter.

- Once the light units are properly assembled and installed, the power cord is installed and the sync extension is connected, turn the **Power** switch on. **Do not immediately fire the unit on the first use or when the unit has been idle for periods over 3 weeks. Allow several minutes for the power supply's capacitors to form. Once this procedure has been followed at these times, subsequent use of the power supply requires no waiting period.**
- **Ready/Push to Flash** button may be depressed to verify proper system operation.
- When Power is on, be sure **Ready/Push to Flash** indicator is illuminated before switching **Power**, **Combine/Isolate**, or **Fast/Slow*** controls. **Do not** move these switches while the unit is recycling.
- Each Black Line power supply's unique features are fully explained in the next section of this manual.

Never attempt to make repairs to your Speedotron equipment. All electronic flash systems operate on high voltage and power. It is very dangerous to open a power supply.

To summarize, set-up should go as follows:

- Make sure power supply is off (both **Model** and **Power** switches in the off position) and unplugged.
- Connect light units to power supply. Inspect all connections, flash tubes and modeling lights. Set desired ratio.
- Connect sync cable to power supply and camera
- Connect power supply to AC. Turn on power supply and wait for it to reach full charge.
- Test to see that all light units are flashing and slave triggers (if any) are functioning.

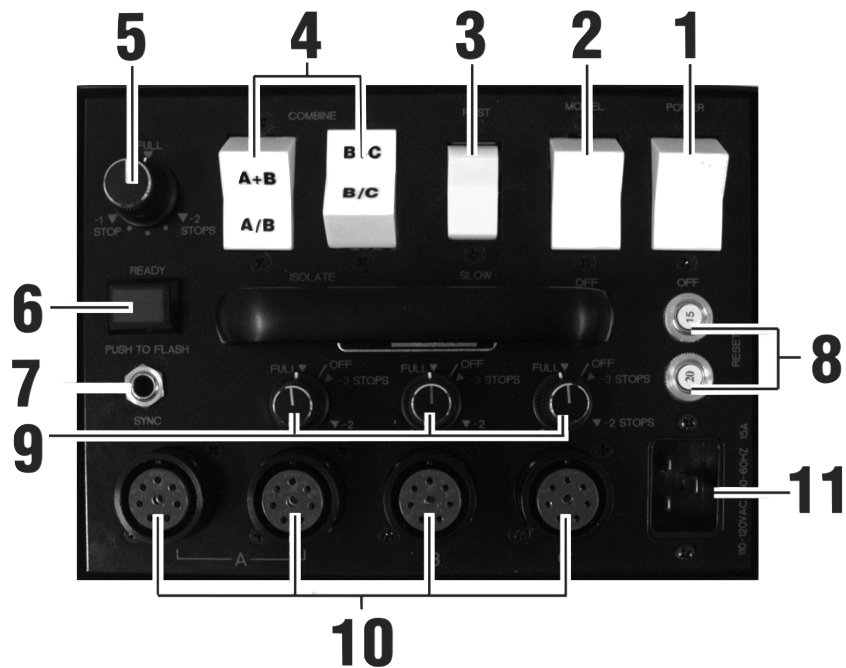
Power Ratios

Black Line equipment is capable of symmetrical (all light units receiving the same amount of light) or asymmetrical (ratioed) power distribution. Controlling distribution is as easy as flipping a switch.

Each power supply is divided into three channels with different levels of power, except for the 405 (which has two). These channels may be joined for even (symmetrical) output to all outlets or separated for unequal (asymmetrical) output to a set of outlets in one or more channels. Power distribution charts are provided in the next section of this manual and on the side of each power supply.

When we refer to ratioing, we are describing the levels of power output from the power supply to the light units only. These power output ratios do not mean that the light falling on the subject will be at that same ratio. This will only occur if the light units are the same and have the same flash tube, reflector, cable length, light control accessories, are at the same distance to the subject, and there is no overlap of lighting on the subject, etc. Power output ratios are only offered as a guide to help you determine your lighting arrangements.

*Not available on 405 power supplies.



1205CX LV / 2405CX LV Description of Controls

Note: Instructions apply to all versions of 1205/2405 power supplies. Variations in these models are in switches and AC input connector only.

- 1) **Power** — turns power supply on and off (flashes light units when turning off)
- 2) **Model** — turns model lamps on and off.
- 3) **Fast/Slow** — controls recycle rate.
- 4) **Combine/Isolate** — controls 3-channel power distribution. Combine connects channels as indicated (A+B, B+C) with symmetrical distribution; Isolate separates channels as indicated (A B, B C).
- 5) **Variable Power Control** — simultaneously controls power of all 3 channels, in 1/4 stop increments, down to -2 stops (1/4 power).
- 6) **Ready/Flash** — illuminates when power supply reaches 100% recycle. Pushing the button manually triggers the flash for testing or open flash applications.
- 7) **Sync** — socket to connect camera or slave to power supply.
- 8) **Reset** — push to reset circuit breaker. Circuit breaker disables power supply in case of malfunction.
- 9) **Variable Model Lamp Control (3)** — controls output of model lamps, down to -3 stops (1/8 power), independently for each channel.
- 10) **Light Unit Outlets (4)** — sockets for connecting from one to four light units to power supply.
- 11) **Power Input** — socket for AC power cord.

1205CX LV / 2405CX LV Operating Instructions

The 1205CX LV and 2405CX LV are identical in features and operation, except that the 2405CX LV is twice as powerful. The following instructions apply for both units. Please read these instructions and the general instructions on page 4 for the proper use and care of these power supplies.

Set **Combine/Isolate** switches for desired ratio of power to light unit(s). See the chart on the side of the power supply and the next page for ratio combinations that are possible with up to four light units.

Set **Fast/Slow** switch. Normally, you will operate the unit in fast recycle mode. However, if you do not have adequate power in your studio, this may cause circuit breakers in your studio to blow. In this case, use slow recycle mode.

Connect power supply to AC outlet.

Turn **Power** switch on. **Ready/Flash** indicator will illuminate, indicating 100% recycle. The unit is now fully charged and ready to fire. **Do not immediately fire the unit on the first use or when the unit has been idle for periods over 3 weeks. Allow several minutes for the power supply's capacitors to form. When the power supply has been used recently you may fire the unit immediately.**

Ready/Flash button may be depressed to verify proper system operation. The **Ready/Flash** indicator light will periodically flicker. This is normal and indicates the operation of the voltage regulator.

When Power is on, be sure **Ready/Flash** indicator is illuminated before switching **Power**, **Combine/Isolate**, or **Fast/Slow** controls. **Do not** move these switches while the unit is recycling.

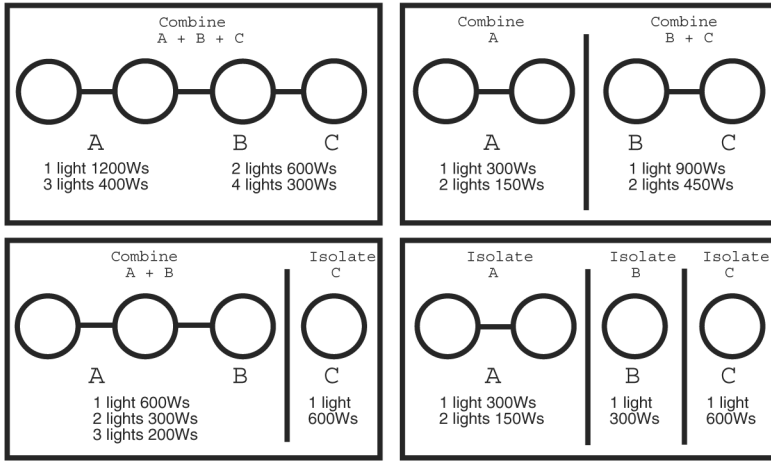
The **Variable Power Control** simultaneously changes power of all 3 channels. When decreasing power (rotating knob from Full to -1 stop, for example) power to the light unit(s) will not be reduced until the 1205CX LV / 2405CX LV has been fired. Press the **Push to Flash** button to discharge unit. When increasing power (rotating knob from -1 stop to Full, for example) it is immediately increased to the light units.

Rotating the **Variable Power Control** does not change the output of the model lamps. Their output is controlled by the **Variable Model Lamps Controls**, one control for each power channel. Rotating the knobs immediately adjusts the output of the model lamps. This way, model lamp output can be matched to the light units, and lighting ratios are easily visualized.

When disassembling the system, turn Power switch to the off position. This flashes all light units connected to the Model 1205CX LV / 2405CX LV. **Do not** push the **Push to Flash** switch before turning power supply off. This will damage power supply.

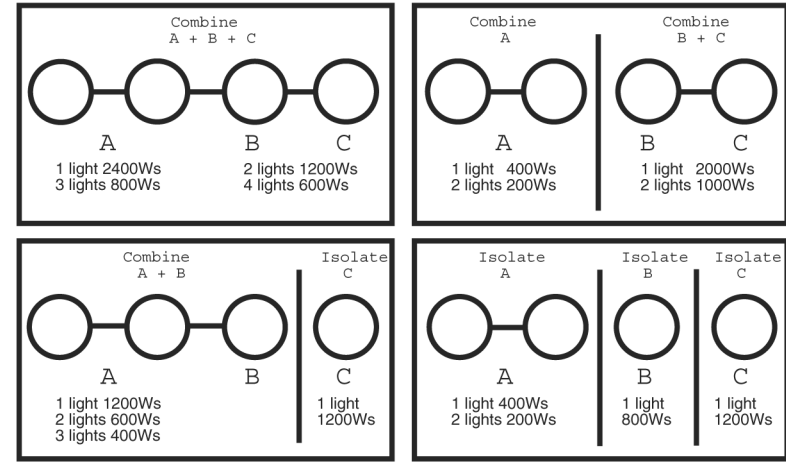
Unplug power cord from outlet, then disconnect light units from power supply.

1205CX LV Power Ratios



Divide watt-seconds by 2 when using half power (-1 stop).
 Divide watt-seconds by 4 when using quarter power (-2 stop).

2405CX LV Power Ratios



Divide watt-seconds by 2 when using half power (-1 stop).
 Divide watt-seconds by 4 when using quarter power (-2 stop).

General Maintenance and Care

All Speedotron Black Line equipment is ruggedly built. Nevertheless, it should be treated with the same care given to other pieces of quality photographic equipment. To protect the user, all Speedotron equipment is designed to be safe when used in accordance with instructions. To assure the maximum in safe, dependable service, the following guidelines should be carefully observed.

- Avoid kinking or pulling cables. Disconnect cables by pulling on the quick release only, except for the 206 light unit which has a threaded ring. Never pull plugs out by the cable. Light cables as well as sync cords and AC power cords should be occasionally checked for wear, cracks, separation between cable and plug, and for indications of arc-over.
- Do not wrap the light unit cables around the light units. Coiling cables tightly stresses the internal wires and may lead to premature cable failure. If possible, keep the coil diameter at least 10 inches.
- If a cable becomes frayed, the insulation damaged, or the connectors bent or broken, have them repaired immediately.
- Keep all connectors, plugs and sockets free of dust, moisture and corrosion.
- Do not connect or disconnect light units or insert or remove flash tubes while the power supply is on.
- When using your equipment, be sure all cable, sync, power and flash tube connections are completely and properly installed.
- Do not attempt to make repairs to your Speedotron equipment yourself. It is very dangerous, and will void your warranty. Consult your dealer regarding authorized service in your area, or return the equipment to Speedotron. When you are not using your equipment, it is recommended that you store it in a dry place. Equipment should be charged up and flashed a few times at least once a month. This will keep your equipment in top working condition for many years.
- With your light unit disconnected, occasionally remove the reflector and clean the interior surface with a light solvent or soap and water. Carefully remove the flash tube, and clean the glass cover. Only in this way will you conserve a consistent color temperature and light output. Dirt and dust deposits on the tube and reflector act like a filter to alter color.
- To extend the life of the model lamp, it should be turned off after set-up and focusing.

Trouble-shooting

System will not work at all; no flash.

Check that sync cable, AC power cord and light unit cables are firmly and properly attached. Check that the flash tube is firmly seated. Check that **Power** switch is on.

Occasional failure of all light units to flash.

Check sync cable and light unit cable connections. Make sure that the **Ready** indicator is illuminated before attempting to fire unit.

Occasional failure of one light unit only.

Check light unit cable connection. Inspect the cable. Check flash tube. Make sure that the **Ready** indicator is illuminated before attempting to fire unit.

Reduced light output.

Check to see if Ratio or Variable Power Control switch is in right position. Check flash tube; check power supply by comparing to similar pack with same light units if possible.

Flash tube glows after a flash (afterglow) and will not flash again until glow is gone.

If confined to one light unit, check flash tube by substitution. If it continues or all lights afterglow, power supply is at fault. If this is the case, turn power supply off immediately! Power supply needs repair.

Ratio or Variable Power Control switch has no effect on recycle time or light output.

Power supply needs repair.

Circuit breaker on power supply pops.

Check that all cables on power supply and light units are properly connected. Also check for afterglow. If a circuit breaker blows, it is an indication that something is wrong. Normal operation will not blow circuit breakers.

Circuit breaker or fuse in studio blows.

Use slow setting on **Recycle** rate switch.

Model lamp fails to light on one light unit.

Check that the model lamp switch on that light unit is in the "ON" position.

*When checking power supplies, light units and cables, be sure that **Power** is off. Look for blackened, discolored or burned pins and sockets. If a **Light Unit Outlet** on the power supply is burned, blackened or discolored, it must be replaced before it is used. It could damage light units that are connected to it. Check that cables are not loose or frayed.*

technical specifications

POWER SUPPLIES

MODEL	MAX. POWER (Watt-secs)	GUIDE NO. 35°-90°	RECYCLE (secs)	POWER CHANNELS	RATIO COMB.	DIAL DOWN	TOTAL OUTPUT VARIATIONS	SPECIAL FEATURES	WEIGHT/SIZE
Explorer 1500	1500	540	3.5	2	N/A	continuous to -5 steps	continuous	Battery Power, Ratio, Dial-down power, Slave, Universal Voltage input	24.9lbs / 9.5x5.4x11.7" **
405	400	290-160	1.3	2	6	9	54	Ratio, Dial-down power	5lbs / 6.5x4.375x7.2" **
1005	1000	408	1.6	3	12	10	120	Ratio, Dial-down power, Slave	7.9lbs / 8x4.375x8.5" **
1205cx LV	1200	500-270	0.9	3	21	9	189	Ratio, Dial-down power & model lamp	15lbs / 6.4x8.8x10"
2407sx	2400	710-380	2.0	3	53	NA	53	Ratio, LV Trigger, Forced air cooling	27lbs / 9x12x14"
2403cx LV	2400	710-380	2.0	3	53	10	530	Ratio, Dial-down power & optional remote	28lbs / 9x12x14"
2405cx LV	2400	710-380	2.0	3	25	9	225	Ratio, Dial-down power & model lamp	23lbs / 6.4x8.8x13"
4803cx LV	4800	1000-540	4.0	3	27	10	270	Ratio, Dial-down power & optional remote	43lbs / 9x14x14"

*Guide # calculated at ISO 100, in ft. w/202Vf. Light, 11.5" reflector forward (35°) & back (90°) positions (except 4803, with 206Vf light) **including handle

LIGHT UNITS

MODEL	MAX. POWER (Watt-secs)	FLASH TUBES (Qty - regular or color corrected)	SPECIAL CHARACTERISTICS
102	2400	1 - MW80V or 1 - MW80VC	economical, general purpose
103	2400	1 - MW90 or 1 - MW90C	lightweight, compact
202VF	2400	1 - MW200V or 1 - MW200VC	variable focus, modular construction
206VF	4800	1 - MW400V or 1 - MW400VC	variable focus, high output
105 (2 cable)	4800	4 - MW24Q or 4 - MW24QC	shortest flash duration
105 (4 cable)	9600	4 - MW24Q or 4 - MW24QC	shortest flash duration, highest output

Note: All Speedtron light units are fan-cooled and accept a 250W model lamp (except the low profile 103).

MODEL	Watt-secs	FLASH DURATION (watt-seconds per light unit)				
		9600	4800	2400	1200	300
102	---	---	---	1/225	1/400	1/670
103**	---	---	---	1/450	1/770	1/1300
202VF	---	---	---	1/300	1/500	1/900
206VF	---	---	---	1/175	1/300	1/500*
105 (2 cable)	---	---	---	1/600	1/1175	1/2000*
105 (4 cable)	1/400	1/600	1/1175	1/2000	---	---

If power is reduced by using the dial-down knob, durations will remain the same. All durations listed in accordance with ANSI PH3.40 Section 2. The time interval from the instant the flash reaches one-half of its peak intensity to the instant it decays to the same value.

*These power levels are reached by the use of the 14202 adapter cable & a standard outlet.

**Flash duration of 103 (light unit) using the 405 power supply; 400Ws = 1500sec., and using the 105 power supply; 800Ws = 1200sec. - 400Ws = 1500sec.

notes

The Speedotron Plus•3 Protection Plan

The Speedotron Plus•3 Protection Plan is an extended service contract that lets you add 3 years of factory service coverage to the 2-year limited warranty that comes with Speedotron power supplies and lights plan goes into effect the day your original warranty expires, so you end up with 5 full years of coverage. With the Plus-3 Protection Plan, virtually all your service needs will be taken care of free of charge. All Plus-3 Protection Plan customers get priority service, so you can have the security of knowing that your equipment will be back on the job as quickly as possible. The Speedotron Plus-3 Protection Plan can only be purchased at the time you buy your equipment. Flash tubes, modeling lamps and shipping charges are not covered.

Terms & Conditions

1. This agreement covers both labor and materials necessary for repairing equipment which is in need of service because of faulty materials or workmanship or breakdowns from normal use, except as hereinafter provided. Damage to equipment or its parts arising out of misuse, abuse, negligence, shipping or causes beyond Speedotron's control are not covered. In addition, this agreement shall become void if the equipment covered is used for rental or is modified, altered, or serviced by persons other than those authorized by Speedotron, or if it is used with parts, accessories, or equipment not intended for use with Speedotron equipment
2. This agreement is between Speedotron Corporation and the person named in the contract. Thus, payment for Plus-3 Protection Plan Coverage should be made directly to Speedotron (not to a dealer) within 30 days of the date the equipment is purchased
3. Service under this agreement will be performed only at the Speedotron factory in Chicago. Service performed at any other service station, including those authorized by Speedotron, is not covered and any service so performed is at the customers expense. Shipping charges, both to and from the Chicago factory, are also the responsibility of the customer, and are not covered by this agreement. Shipping charges to cover the return of your equipment by what-ever means you choose may be included with requests for service, or equipment can be returned C.O.D. (freight collect).
4. This agreement is valid only for the equipment listed Any other piece of equipment or accessory is not covered under this agreement, even if damaged while in use with the equipment covered Flash tubes and modeling lamps are not covered. In addition, once this agreement is signed by Speedotron, no other equipment may be added to it. Should you purchase additional equipment and wish to have it covered, you must purchase additional Speedotron Plus-3 Protection Plan Service Contracts.
5. The equipment listed in this contract will be covered only while owned by the person named in the contract. THIS AGREEMENT IS NOT TRANSFERABLE.
6. Equipment covered by the Speedotron Plus-3 Protection Plan Service Contract will be given priority service This priority service will be given during the regular warranty period of the equipment as well as when the Plus-3 Plan goes into effect.
7. Other than the obligations set forth herein, Speedotron disclaims all warranties, expressed or implied, including any implied warranties of merchantability, fitness for use, or fitness for a particular purpose. Speedotron shall not be responsible for any direct incidental or consequential damages, including but not limited to damages arising out of the use or performance of the equipment covered, or the loss of use of the equipment covered.
8. This agreement shall be governed by and construed according to the laws of the state of Illinois, in which Speedotron is located. It constitutes the entire agreement between parties and may not be modified except in writing signed by duly authorized officials of Speedotron Corporation and the customer.
9. This agreement shall terminate on the expiration date indicated, and any repairs necessary after that date are solely the responsibility of the customer
10. Due to U.S. Customs Service regulations, this agreement only applies to equipment shipped within the United States (including U.S. territories).

The Speedotron Plus•3 Protection Plan Service Contract

To apply, fill out this form completely, sign it, and mail it along with a copy of the bill of sale and warranty registration card for each piece of equipment to be covered to:

Speedotron Corporation
310 South Racine Avenue
Chicago, Illinois 60607

Once approved, this form will be returned to you and a copy will be kept in Speedotron's files. Please note that if these instructions are not properly followed, your application will be returned to you.

The Speedotron Plus•3 Protection Plan Price List

For Speedotron Black Line Power Supplies, 4800Ws	\$125.00
For Speedotron Black Line Power Supplies, 2400Ws	95.00
For Speedotron Black Line Power Supplies, 1200Ws or lower	75.00
For Speedotron Force 10 / Force 5	75.00
For Speedotron Brown Line Power Supplies, 800Ws or higher	50.00
For Speedotron Brown Line Power Supplies, 600Ws or lower	30.00
For any Speedotron Black Line or Brown Line Light Unit (not including flash tubes or modeling lamps)	10.00

NOTE: All pieces of equipment must be covered individually.

Customer name _____

Address _____

City _____ State _____ Zip _____

Phone, _____ Daytime _____ Evenings _____

Equipment covered.

Model _____ Serial Number _____ Plus-3 price \$ _____

Model _____ Serial Number _____ Plus-3 price \$ _____

Model _____ Serial Number _____ Plus-3 price \$ _____

Model _____ Serial Number _____ Plus-3 price \$ _____

Total amount due for coverage on equipment listed above \$ _____

Note: A copy of the bill of sale and warranty registration card must be included for each piece of equipment listed above. The copy of the bill of sale must show the authorized dealer's name, invoice number and date purchased. Speedotron Plus-3 Protection Plan coverage must be applied for within 30 days of the date the equipment was purchased.

I am enclosing a check for \$ _____ the total amount due for Speedotron Plus-3 Protection Plan Service Contract for the equipment I have listed. Speedotron agrees to provide repair service for said equipment, should it become necessary, according to the terms and conditions (see back) set forth in this agreement. No terms or conditions, expressed or implied, are authorized unless they appear on the original of this agreement. This agreement is not valid unless signed by both parties.

Customer acceptance:

I have read, fully understand, and agree to the terms and conditions of this agreement.

Customer Name _____

Signature _____

Speedotron acceptance:

Speedotron agrees to provide repair service for the equipment listed in this agreement, according to the terms and conditions set forth herein.

Authorized Speedotron Official _____

Signature _____

The Speedotron Plus-3 protection Plan for the above listed equipment will expire on _____

When returning this Plus-3 Protection Plan application, please include the following:

1. the completed application form,
2. completed warranty information card
3. a copy of sale invoice with the dealer's name and address,
4. a check for the full amount of coverage for each piece of equipment to be covered

Send to:
Speedotron Corporation
310 South Racine Avenue
Chicago, Illinois 60607